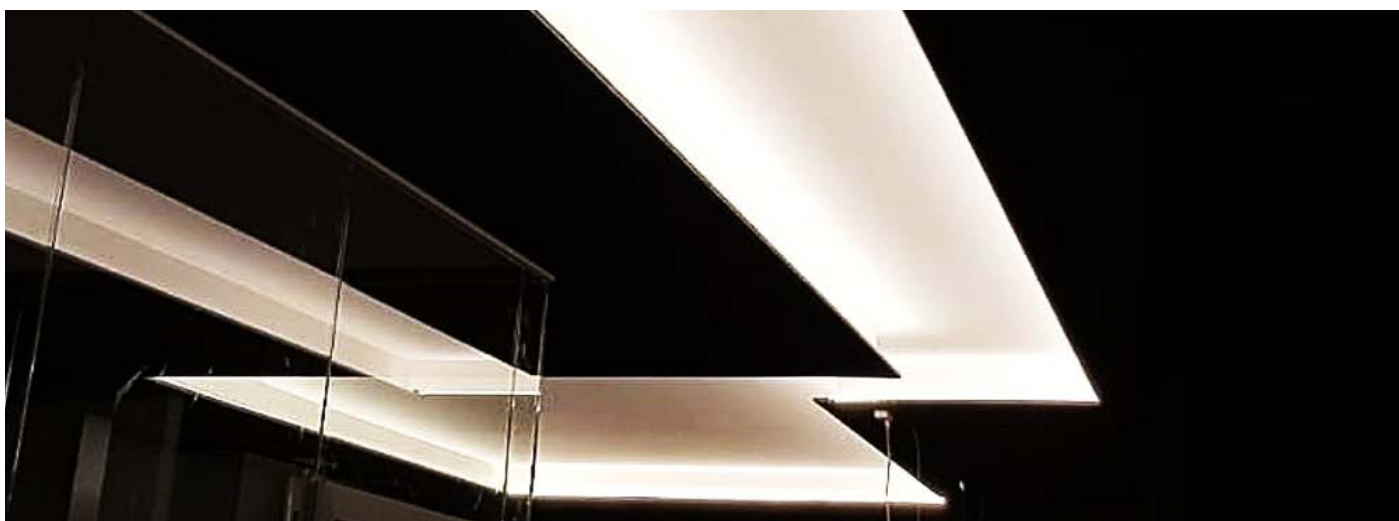
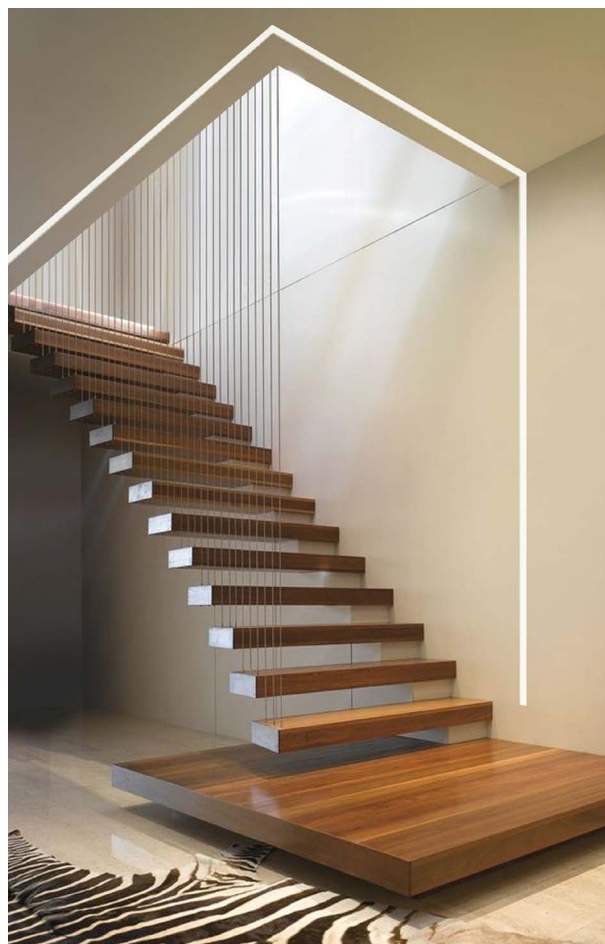




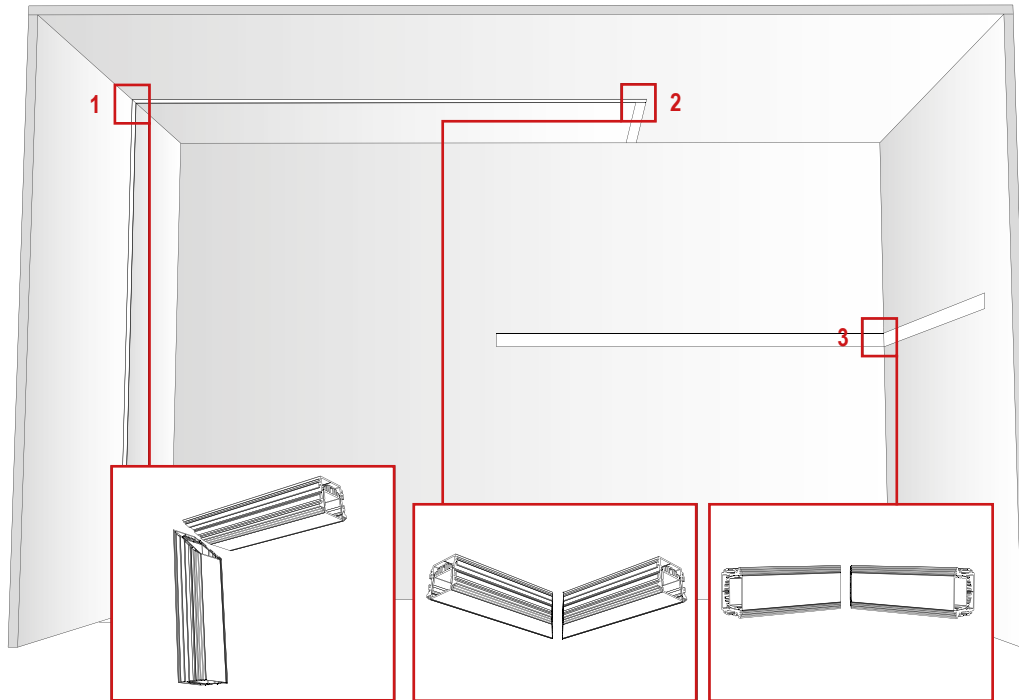
ZER035T / ZER035M



DISEGNIAMO CON LA LUCE



## CONFIGURAZIONI / CONFIGURATIONS



**1. SOFFITTO / PARETE ANGOLO 90° VERTICALE**  
1. CEILING / WALL VERTICAL 90 ° ANGLE

**ACCESSORI E LAVORAZIONI**  
**ACCESSORIES AND PROCESSING**

GIUNTO MECCANICO / MECHANICAL JOINT  
STAFFA INCASSO / BUILT-IN BRACKET  
TAGLIO ANGOLARE / CORNER CUT

**2. SOFFITTO ANGOLO 90° ORIZZONTALE**  
2. CEILING HORIZONTAL 90 ° ANGLE

**ACCESSORI E LAVORAZIONI**  
**ACCESSORIES AND PROCESSING**

GIUNTO MECCANICO / MECHANICAL JOINT  
STAFFA INCASSO / BUILT-IN BRACKET  
TAGLIO ANGOLARE / CORNER CUT

**3. PARETE ANGOLO 90° VERTICALE**  
3. WALL VERTICAL 90 ° ANGLE

**ACCESSORI E LAVORAZIONI**  
**ACCESSORIES AND PROCESSING**

GIUNTO MECCANICO / MECHANICAL JOINT  
STAFFA INCASSO / BUILT-IN BRACKET  
TAGLIO ANGOLARE / CORNER CUT

**ATTENZIONE! IL PROFILO E' STATO DIMENSIONATO PER UN PANNELLO STANDARD IN CARTONGESSO DI SPESSORE 12,5 mm**

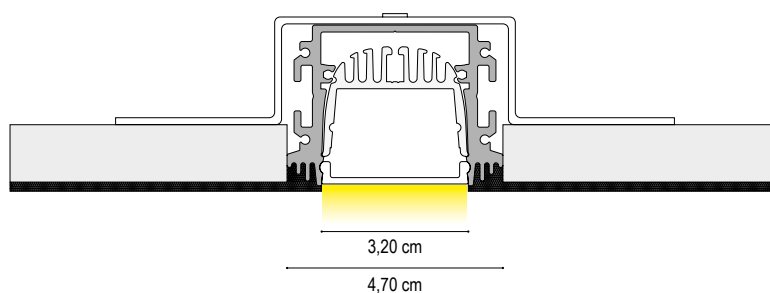
WARNING! THE PROFILE HAS BEEN SIZED FOR A STANDARD PLASTERBOARD PANEL OF 12.5 mm THICKNESS

## DATI TECNICI TECHNICAL DATA

	1 cm	200 cm	300 cm	1 cm	200 cm	300 cm	1 cm	200 cm	300 cm
<b>Nominal LED Flux:</b>	2200 lm/m	4400 lm	6600 lm	2520 lm/m	5040 lm	7560 lm	3150 lm/m	6300 lm	9450 lm
<b>Flux Tot:</b>	1760 lm/m	3520 lm	5280 lm	2016 lm/m	4032 lm	6048 lm	2520 lm/m	5040 lm	7560 lm
<b>Output:</b>	105 lm/W	105 lm/W	105 lm/W	105 lm/W	105 lm/W	105 lm/W	105 lm/W	105 lm/W	105 lm/W
<b>CCT:</b>	3000 K	3000 K	3000 K	3000 K	3000 K	3000 K	3000 K	3000 K	3000 K
<b>CRI:</b>	>90	>90	>90	>90	>90	>90	>90	>90	>90
<b>Power Tot:</b>	20.0 W/m	40.0 W	60.0 W	24.0 W/m (700 LED/m)	48.0 W (700 LED/m)	72.0 W (700 LED/m)	30.0 W/m	60.0 W	90.0 W
<b>Weight:</b>	0.90 Kg/m	1.80 Kg	2.70 Kg	0.90 Kg/m	1.80 Kg	2.70 Kg	0.90 Kg/m	1.80 Kg	2.70 Kg

Profilo/Profile: Alluminio/aluminum

Cover: Opale/opal - Prismaticata/prismatic



## FINITURE / FINISHES



00 GRIGIO VESUVIO  
00 ANTHRACITE



01 ARGILLA  
01 ARGIL



03 BIANCO INTONACO  
03 WHITE



04 NERO CARAVAGGIO  
04 BLACK



05 MOKA  
05 MOCHA



06 ALLUMINIO NATURALE  
06 ALUMINIUM



08 CROMO  
08 CHROME



09 ORO CALIFORNIA  
09 GOLD



10 ARAMEN  
10 COPPER



11 GRIGIO AVIO  
11 GREY AVIO



12 ARGENTO COMETA  
12 SILVER COMET



13 OTTONE VENEZIANO  
13 VENETIAN BRASS



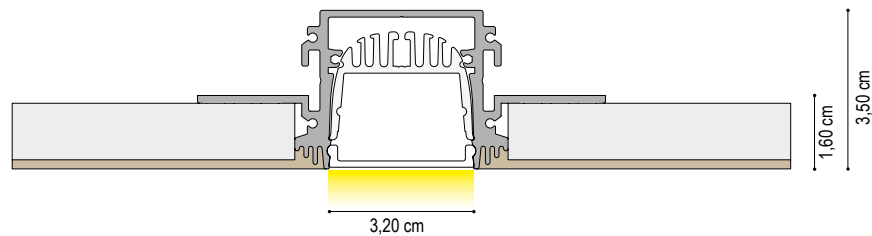
17 TERRA SENESE  
17 SENESE EARTH

## VERNICIATURA A POLVERE / POWDER COATING

## DATI TECNICI TECHNICAL DATA

	1 cm	200 cm	300 cm
LED Flux Tot:	3150 lm/m	6300 lm	9450 lm
Flux Tot:	2520 lm/m	5040 lm	7560 lm
Output:	105 lm/W	105 lm/W	105 lm/W
CCT:	3000 K	3000 K	3000 K
CRI:	>90	>90	>90
<b>Power Tot:</b>	<b>30.0 W/m</b>	<b>60.0 W</b>	<b>90.0 W</b>
Weight:	0.90 Kg/m	1.80 Kg	2.70 Kg

**Profilo/Profile:** Alluminio/aluminum **Cover:** Opale/opal - Prismaticata/prismatic



## FINITURE / FINISHES



## VERNICIATURA A POLVERE / POWDER COATING