

**DESIGN  
LUCE**

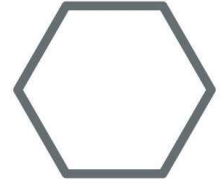
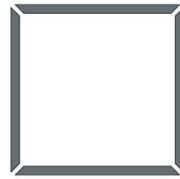
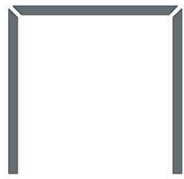
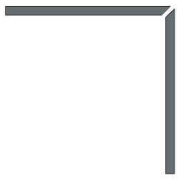
**ZER035 X**



**DISEGNIAMO CON LA LUCE**



## CONFIGURAZIONI / CONFIGURATIONS



**A. COMPOSIZIONE ANGOLARE A "L"**  
A. L-ANGLE COMPOSITION

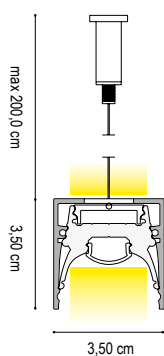
**B. COMPOSIZIONE ANGOLARE A "C"**  
B. C-ANGLE COMPOSITION

**C. COMPOSIZIONE POLIGONALE (QUADRATO/RETTANGOLO)**  
C. POLYGONAL COMPOSITION (SQUARE / RECTANGLE)

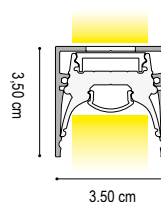
**D. COMPOSIZIONE POLIGONALE (PENTAGONO/ESAGONO)**  
D. POLYGONAL COMPOSITION (PENTAGON / HEX)



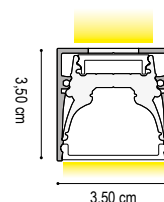
**INSTALLAZIONE A SOSPENSIONE**  
SUSPENSION

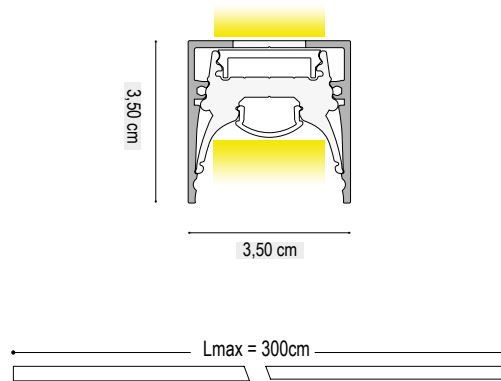


**ZER035X CON DIFFUSORE RECESSO**  
ZER035X WITH RECESSED DIFFUSER



**ZER035X CON DIFFUSORE ESTERNO**  
ZER035X WITH EXTERNAL DIFFUSER





## DATI TECNICI TECHNICAL DATA

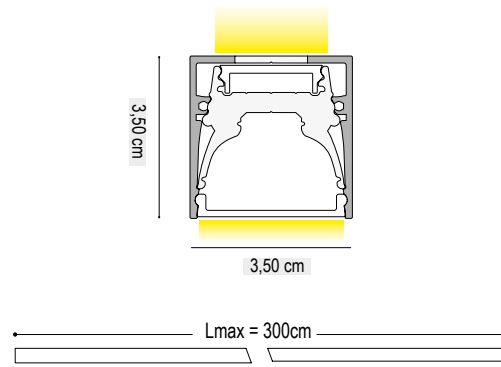
DIFFUSORE RECESSO / RECESSED DIFFUSER			
	1 cm - 40W/m	200 cm - 80W	300 cm - 120W
Nominal LED Flux:	↑ 2200 lm/m - 2200 lm/m ↓	↑ 4400 lm - 4400 lm ↓	↑ 6600 lm - 6600 lm ↓
Flux Tot:	↑ 1890 lm/m - 1680 lm/m ↓	↑ 3780 lm - 3360 lm ↓	↑ 5670 lm - 5040 lm ↓
Output:	110 lm/W	110 lm/W	110 lm/W
CCT:	3000 K	3000 K	3000 K
CRI:	>95	>95	>95
Power:	↑ 20.0W/m - 20.0W/m ↓	↑ 40.0W - 40.0W ↓	↑ 60.0W - 60.0W ↓
<b>Power Tot:</b>	<b>40.0W/m</b>	<b>80.0W</b>	<b>120.0W</b>
Weight:	1.40 Kg/m	2.80 Kg	4.20 Kg
Alluminio/aluminium		Cover: Opale/opal - Satinato/Satin	

## DATI TECNICI TECHNICAL DATA

DIFFUSORE RECESSO / RECESSED DIFFUSER			
	1 cm - 60W/m	200 cm - 120W	300 cm - 180W
Nominal LED Flux:	↑ 4440 lm/m - 4440 lm/m ↓	↑ 8880 lm - 8880 lm ↓	↑ 13320 lm - 13320 lm ↓
Flux Tot:	↑ 3552 lm/m - 3552 lm/m ↓	↑ 7104 lm - 7104 lm ↓	↑ 10656 lm - 10656 lm ↓
Output:	148 lm/W	148 lm/W	148 lm/W
CCT:	3000 K	3000 K	3000 K
CRI:	>90	>90	>90
Power:	↑ 30.0W/m - 30.0W/m ↓	↑ 60.0W - 60.0W ↓	↑ 90.0W - 90.0W ↓
<b>Power Tot:</b>	<b>60.0W/m</b>	<b>120.0W</b>	<b>180.0W</b>
Weight:	1.40 Kg/m	2.80 Kg	4.20 Kg
Alluminio/aluminium		Cover: Opale/opal - Satinato/Satin	

## FINITURE / FINISHES





## DATI TECNICI TECHNICAL DATA

DIFFUSORE ESTERNO / EXTERNAL DIFFUSER			
	1 cm - 40W/m	200 cm - 80W	300 cm - 120W
Nominal LED Flux:	↑ 2200 lm/m - 2200 lm/m ↓	↑ 4400 lm - 4400 lm ↓	↑ 6600 lm - 6600 lm ↓
Flux Tot:	↑ 1890 lm/m - 1680 lm/m ↓	↑ 3780 lm - 3360 lm ↓	↑ 5670 lm - 5040 lm ↓
Output:	110 lm/W	110 lm/W	110 lm/W
CCT:	3000 K	3000 K	3000 K
CRI:	>95	>95	>95
Power:	↑ 20.0W/m - 20.0W/m ↓	↑ 40.0W - 40.0W ↓	↑ 60.0W - 60.0W ↓
<b>Power Tot:</b>	<b>40.0W/m</b>	<b>80.0W</b>	<b>120.0W</b>
Weight:	1.40 Kg/m	2.80 Kg	4.20 Kg
Alluminio/aluminium		Cover: Opale/opal - Satinato/Satin	

## DATI TECNICI TECHNICAL DATA

DIFFUSORE ESTERNO / EXTERNAL DIFFUSER			
	1 cm - 60W/m	200 cm - 120W	300 cm - 180W
Nominal LED Flux:	↑ 4050 lm/m - 4050 lm/m ↓	↑ 8100 lm - 8100 lm ↓	↑ 12150 lm - 12150 lm ↓
Flux Tot:	↑ 3510 lm/m - 3510 lm/m ↓	↑ 7020 lm - 7020 lm ↓	↑ 10530 lm - 10530 lm ↓
Output:	135 lm/W	135 lm/W	135 lm/W
CCT:	3000 K	3000 K	3000 K
CRI:	>90	>90	>90
Power:	↑ 30.0W/m - 30.0W/m ↓	↑ 60.0W - 60.0W ↓	↑ 90.0W - 90.0W ↓
<b>Power Tot:</b>	<b>60.0W/m</b>	<b>120.0W</b>	<b>180.0W</b>
Weight:	1.40 Kg/m	2.80 Kg	4.20 Kg
Alluminio/aluminium		Cover: Opale/opal - Satinato/Satin	

## DATI TECNICI TECHNICAL DATA

DIFFUSORE PRISMATIZZATO / PRISMATIC DIFFUSER			
	1 cm - 40W/m	200 cm - 80W	300 cm - 120W
Nominal LED Flux:	↑ 4050 lm/m - 4050 lm/m ↓	↑ 8100 lm - 8100 lm ↓	↑ 12150 lm - 12150 lm ↓
Flux Tot:	↑ 3510 lm/m - 3645 lm/m ↓	↑ 7020 lm - 7290 lm ↓	↑ 10530 lm - 10935 lm ↓
Output:	135 lm/W	135 lm/W	135 lm/W
CCT:	3000 K	3000 K	3000 K
CRI:	>90	>90	>90
Power:	↑ 30.0W/m - 30.0W/m ↓	↑ 60.0W - 60.0W ↓	↑ 90.0W - 90.0W ↓
<b>Power Tot:</b>	<b>60.0W/m</b>	<b>120.0W</b>	<b>180.0W</b>
Weight:	1.40 Kg/m	2.80 Kg	4.20 Kg
Alluminio/aluminium		Cover: Prismatizzato/prismatic - Satinato/Satin	

## FINITURE / FINISHES

---

